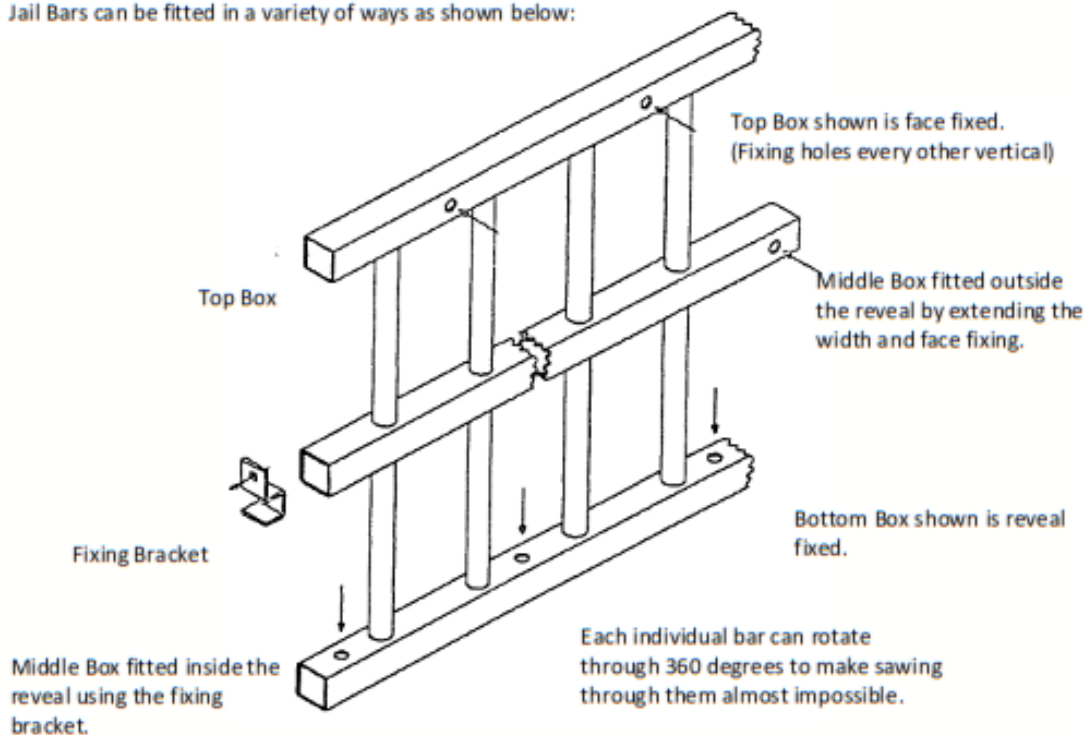


Jail Bars

Security Care pioneered Jail Bars as a high security barring system for use in high risk commercial and domestic situations. They may also be fitted where the many benefits of security grilles (such as retractable and aesthetics) are of paramount importance.

Jail Bars are tailor-made to client requirements and can be fitted within the reveal of a window, or face fixed onto the surface. Each order is flat packed, supplied complete with recommended fittings and a white powder coat to suit (additional colours available at extra cost).

Jail Bars can be fitted in a variety of ways as shown below:



Jail Bars are made from 20mm diameter solid steel bars. Each jail bar is held in place 125mm apart by 38 x 38 x 2mm ERW steel box section. Fixings holes are pre-drilled in the box section, and fixings and cover caps are supplied. Middle boxes are supplied when bar length exceeds one metre.

313 Old Birmingham Road, Marlbrook, Bromsgrove, Worcestershire, B60 1HQ

Tel: 0121 445 2587 / Fax: 0121 445 2551

E-mail: sales@securitycare.co.uk / Website: www.securitycare.co.uk

Security Care Ltd. Registered in England 4449222